

# STEP 1: ASSESSING THE INSTALLATION SETTING

Before you can select a track (rail), you need a clear picture of the installation setting. You can use the below as a checklist and send it back to us for tailored advice, or you can compare your list to the track (rail) options in part two.

Important: No matter the material strength of the art hanging track, it must rely on the structure of the wall to stay in place. To safeguard valuable artworks, know what's in the wall or ceiling.

If you are unsure about any of the below, our team of experts are on hand to help. Contact us for advice at: [sales@absoluteproduct.com](mailto:sales@absoluteproduct.com) / +44(0)1769 572389 / [www.absoluteproduct.com](http://www.absoluteproduct.com).

## 1) INSTALLATION TYPE

To determine the appropriate track (rail) type, identify the existing condition or construction type for your project:

- Finished walls (H Track) or ceiling (C Track)
- Renovation (All)
- New Build (All)

Then, identify the position on the wall or ceiling to confirm the track (rail) choice:

- Fit in ceiling (C Track)
- Fixed to finished face of wall, directly below ceiling (H Track)
- Recessed above finished wall panel (T Track)
- Built into wall (Flush Mount Track)

## 2) WALL/CEILING CONDITIONS

Now establish the support structure of the wall. This largely determines the weight carrying capacity of the track (rail) and the fixing type.

- Historic preservation restrictions
- Existing lathe and plaster
- Plasterboard, no added structural support in wall/ceiling
- Ability to add structural support in the wall/ceiling
- Brick or concrete block walls
- Stone panels

## 3) ARCHITECTURAL DETAILS

Next, identify any special conditions for installation created by the architectural details. These might include:

- Applied wall panels  
(plasterboard, joinery, fabric, ceramic, concrete)
- Moulding at top of wall/ceiling
- No moulding
- Existing picture rail
- Light cove at top of wall
- Lay-in ceiling tiles
- Track built into wall
- Slope at stairs
- Curved walls

## 4) OTHER CONSIDERATIONS

Finally, to determine the required length of track (rail), consider other factors that influence the number of track cuts for the project.

The following could impact this:

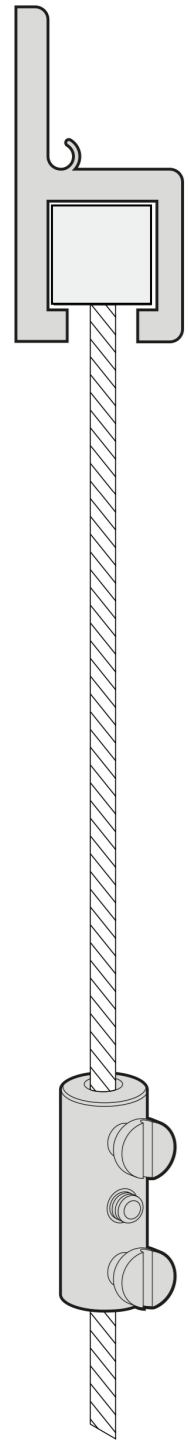
- Doors and windows go up to ceiling
- Number of inside/outside corners in a room/space
- Built-in cabinetry
- Fireplace

Note the following:

- Confirm each wall run has an access mouth for installing the hanging sets.
- Always mitre inside and outside corners for a neat finish with no exposed track ends.

**Next Step:** Now you have a clear picture of what you will be fixing to, you can choose an appropriate track (rail), and the hanging sets to suit your artworks. We cover all of this in part two.

# STEP 2: CHOOSING THE RIGHT TRACK SYSTEM



Note: Hangings sets consist of 2 top blocks, 2 hanging lengths and 2 artwork connectors.

One hanging set is required per artwork.

## 1: CHOOSE TRACK (RAIL)

Based on installation type and wall/ceiling conditions (as examined in step one).

All come in 2.5m lengths, in silver or white.

Contact us for heavier weight requirements.

Note: The top blocks, that sit inside the track and connect to the hanging lengths, will be determined by the track.

Track sold separately to hanging components.

## 2: CHOOSE HANGING LENGTH

Based on artwork weight and design aesthetic.

All come in 1.5 or 2.5m lengths.

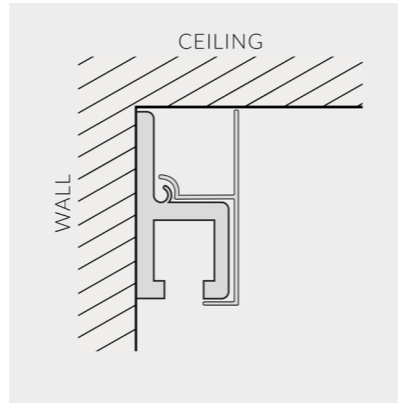
Sold in pairs.

## 3: CHOOSE ARTWORK CONNECTOR

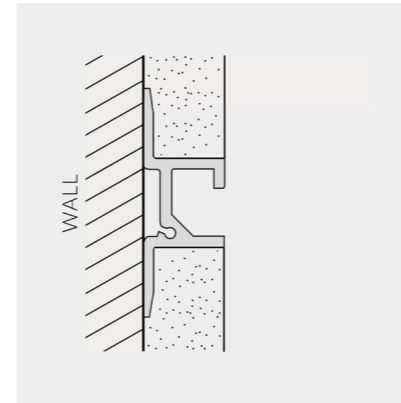
Based on existing artwork frame conditions, security requirements and storage plan.

What is at the back of the artwork?  
a) No hanger - choose Ryman Barrel option.  
b) Existing cord or cable - choose Hook Barrel option.

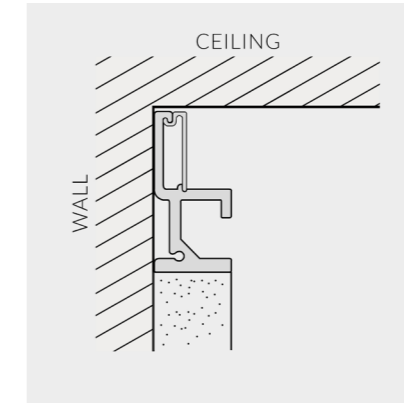
The load is determined by the size and height of the artworks. Sold in pairs.



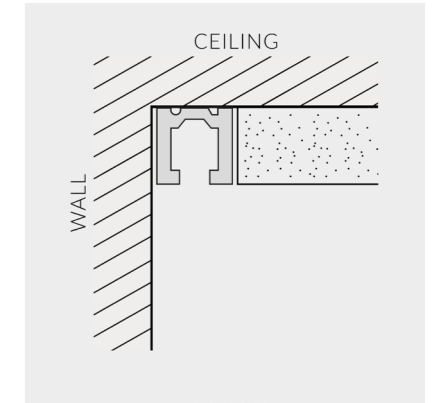
**H TRACK**  
Fits to top of finished walls.  
Supports artworks up to 150kg each.



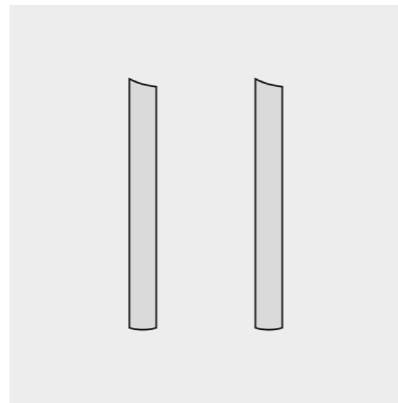
**FLUSH MOUNT TRACK**  
Built into wall during construction.  
Supports artworks up to 150kg each.



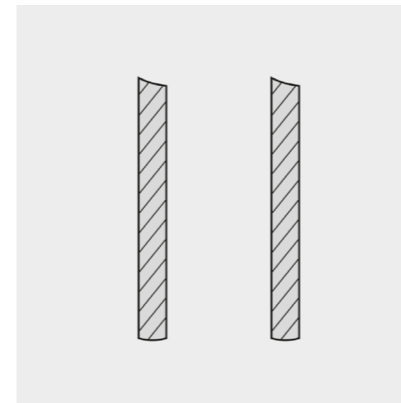
**T TRACK**  
Built into wall during construction or retrofit. Recess above wall panels.  
Supports artworks up to 150kg each.



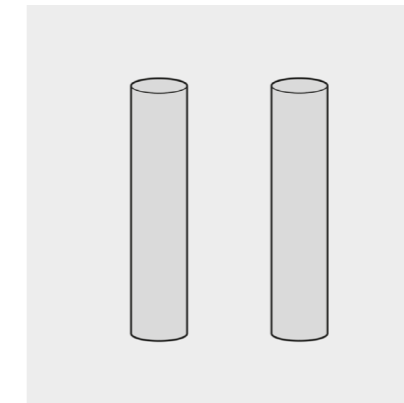
**C TRACK**  
Built into ceiling during construction or retrofit. Supports artworks up to 15kg each.



**PERLON CORD**  
2mm diam, semi transparent. A pair supports individual artworks weighing up to 40kg.



**STAINLESS STEEL CABLE**  
1.5mm diam, silver. A pair supports individual artworks weighing up to 75kg.

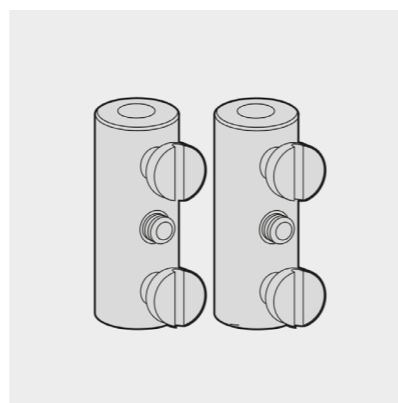


**STAINLESS STEEL RODS**  
5mm diam, silver or white. A pair supports individual artworks weighing up to 150kg.

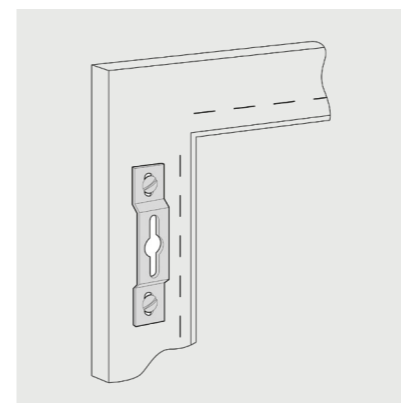
**Important:** The track determines the weight carrying capacity, the hanging sets support.

e.g. Adding Rods to C Track will NOT enable the track to carry more weight.

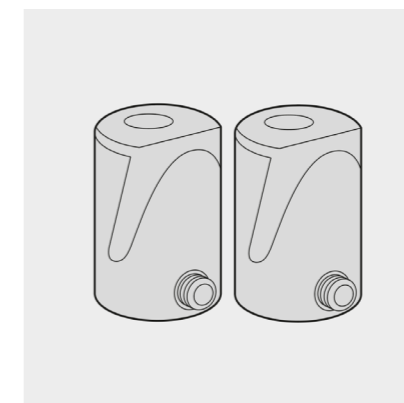
For advice, please contact us:  
+44(0)1769 572389  
sales@absoluteproduct.com  
www.absoluteproduct.com



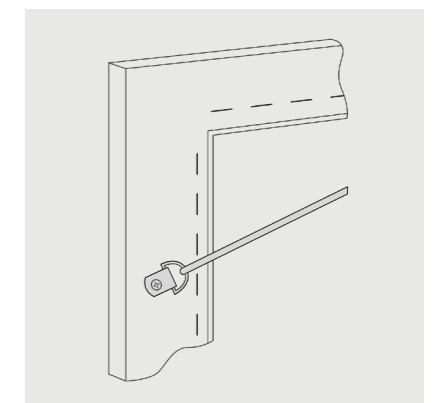
**RYMAN BARREL**  
Connects the hanging set to an Absolute Ryman Hanger (shown right) at the back of an artwork. Also connects to Ryman Storage Hooks.



**RYMAN HANGER**  
Hangers that fix to the back of artworks, then are hung on Ryman Barrels (shown left). Varying security options.



**HOOK BARREL**  
Connects the hanging sets to an artwork that has its own cord/string at the back (shown right).



**EXISTING CORD/STRING**  
At the back of an artwork, hung on the hook barrels (shown left).